

Drop-In Heated Plate Dispenser, 1 cylinder - Ø180-300 mm

ITEM # _____

MODEL # _____

NAME # _____

SIS # _____

AIA # _____



341166 (D33H)

 Drop-in heated Plate
 Dispenser, single cylinder,
 plate diameter 180-300 mm

Short Form Specification

Item No. _____

One cylinder plate lowerator: the cylinder can accommodate up to 50 plates of 300 mm diameter. Heated cylinder: allows to keep the plates hot at desired temperature. Guiding profiles inside the cartridges allows to accommodate different shaped plates/bowls.

Main Features

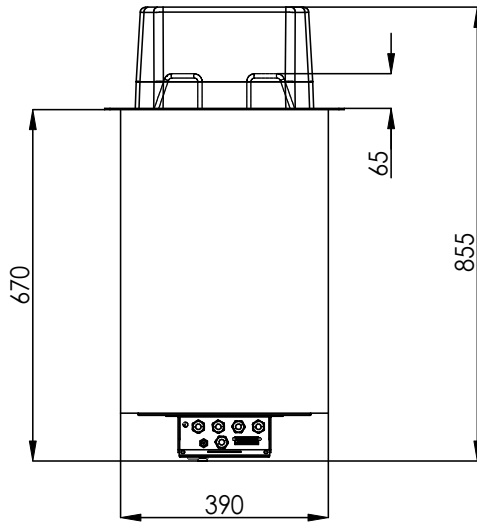
- Heated cylinder: Allows to keep the plates hot at desired temperature.
- CB and CE certified by a third party notified body.
- Designed to be positioned in flush installation providing improved cleanability and suitable for modern design installations.
- As standard the product comes with digitally controlled thermostat which is in line of HACCP norms and provides visual alarm as a warning of the increasing or decreasing temperatures.
- Guiding profiles inside the cartridges allows to accommodate different shaped plates/bowls.
- Precise temperature control and setting at 0,1°C .
- One cylinder plate lowerator: the cylinder can accommodate up to 50 plates of 300mm diameter

Construction

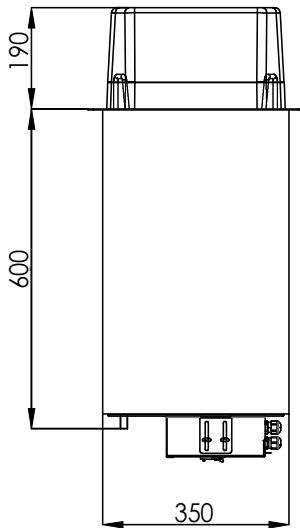
- IPx4 water protection.
- Electronic control with temperature display.

APPROVAL: _____

Front

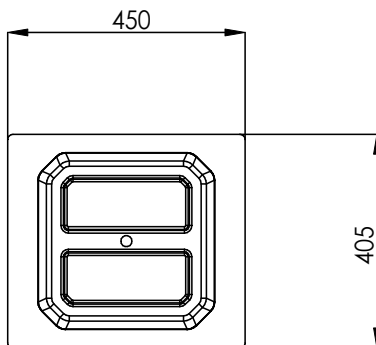


Side



EI = Electrical inlet (power)

Top


Electric

Supply voltage: 220-240 V/1N ph/50/60 Hz
 Electrical power, max: 0.8 kW

Key Information:

External dimensions, Width: 405 mm
 External dimensions, Depth: 450 mm
 External dimensions, Height: 855 mm
 Net weight: 17 kg